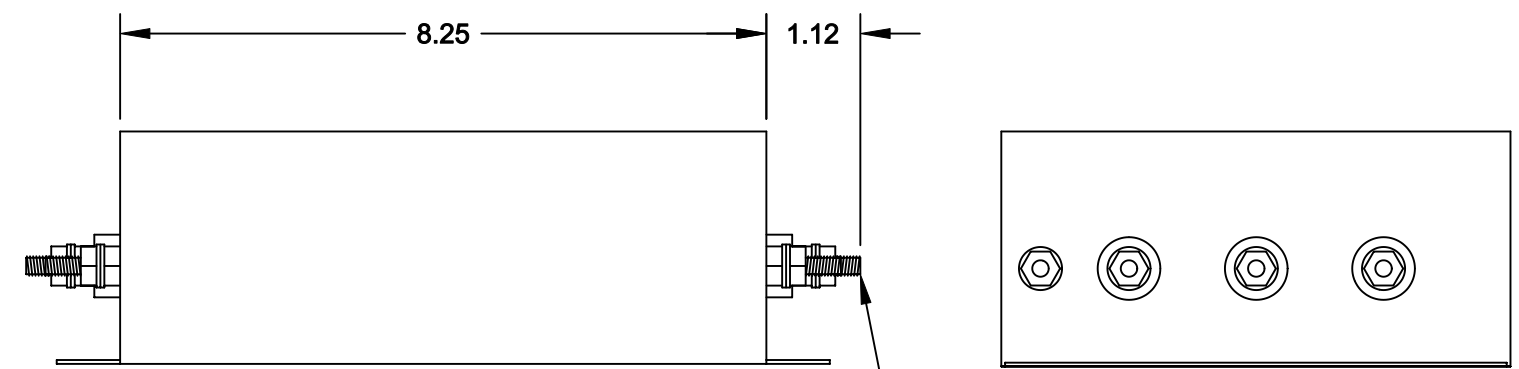
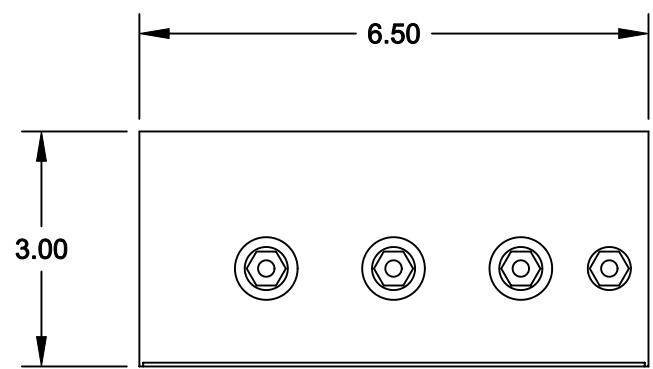
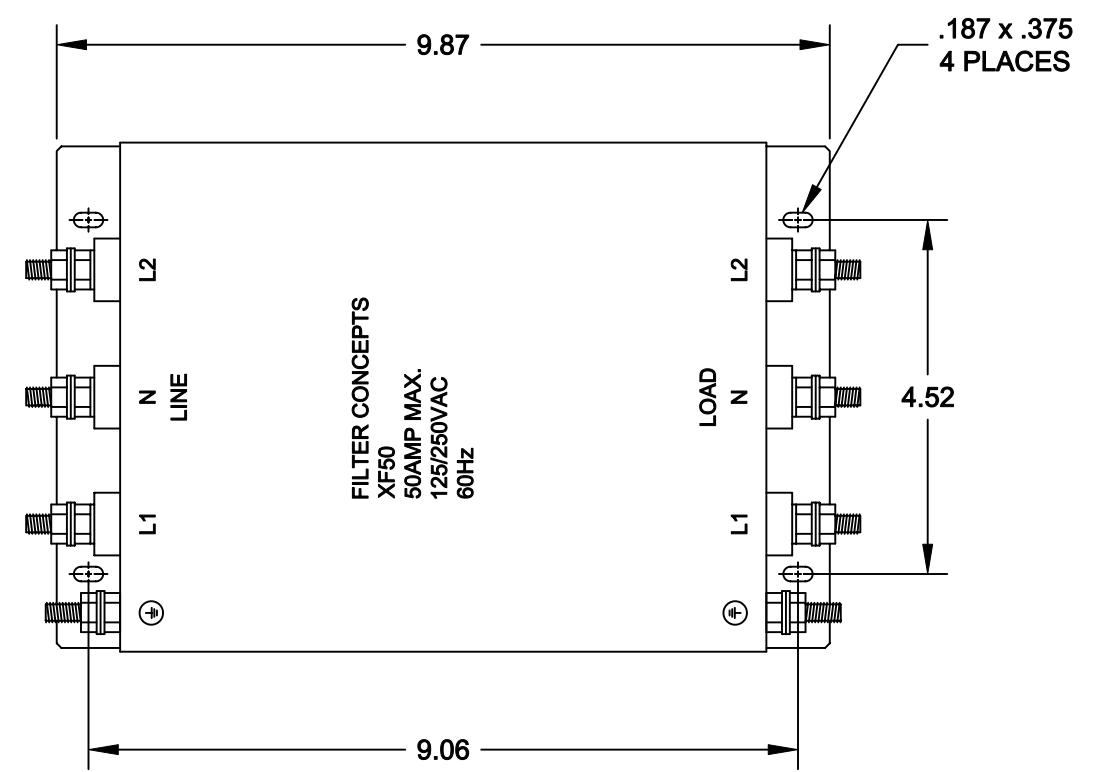


REVISION			
LTR	DESCRIPTION	DATE	APPROVED
A	INITIAL RELEASE	04-20-05	LE

SPECIFICATIONS

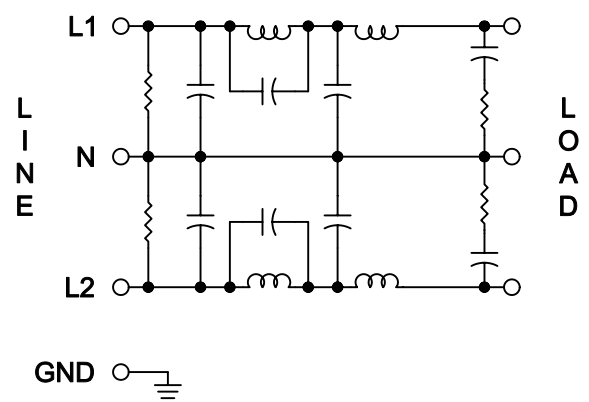
- CASE:
18 GA. (.048) CRS, TIN PLATED
- RATED CURRENT:
50A MAX.
- RATED VOLTAGE:
125/250VAC
- TEST VOLTAGE:
LINE TO NEUTRAL: 1.7KVDC
LINE TO GROUND: 2.2KVDC



INSERTION LOSS (50 Ω TYPICAL)

	.05 MHz	.12 MHz	.15 MHz	.50 MHz	1.50 MHz	5.0 MHz	20 MHz
L/N	20 db	> 75 db	70 db	70 db	70 db	65 db	60 db

SCHEMATIC



UNLESS OTHERWISE SPECIFIED
DIMENSIONS ARE INCHES
TOLERANCES ARE:
FRACTIONS DECIMALS ANGLES
± .XX ±.030 ±
.XXX ±.010

CONTRACT NO.	
APPROVALS	DATE
DRAWN GIANG TRINH	05-03-04
CHECKED DANNIEL VUONG	04-20-05

FILTER CONCEPTS INC.

APPLICATION DRAWING

XF50 FILTER

NEXT ASSY	USED ON
APPLICATION	

SIZE B	CODE IDENT NO.	DRAWING NO. 7020-1
SCALE 2/5	SHEET 1 OF 1	